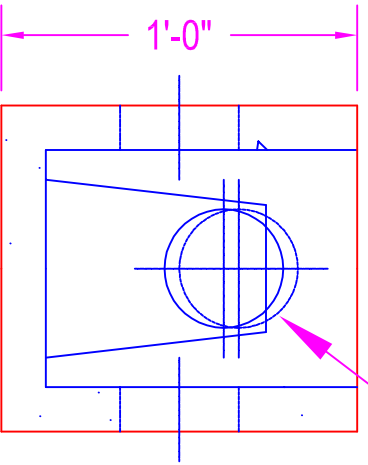
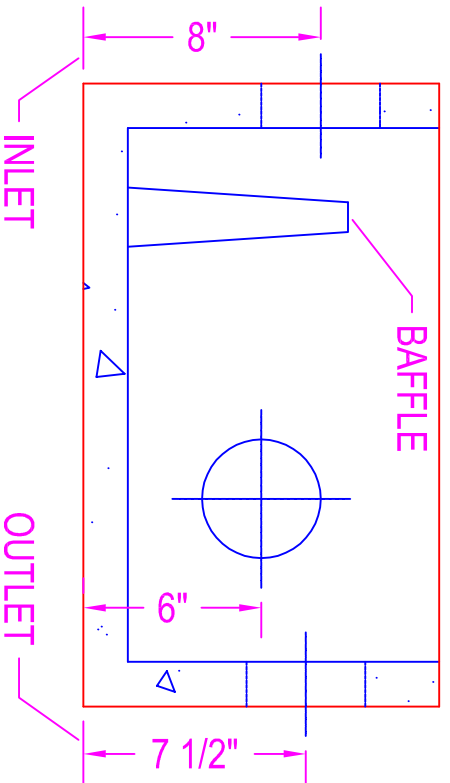
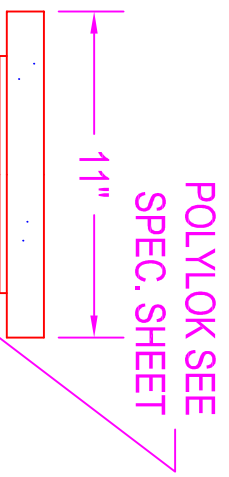
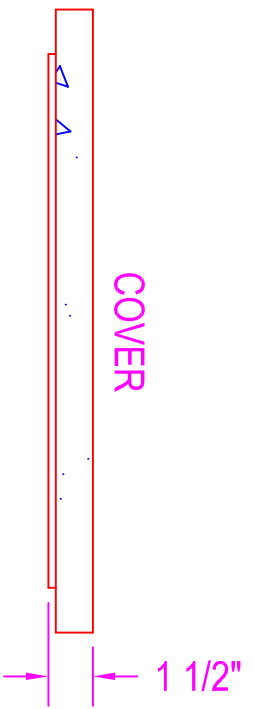
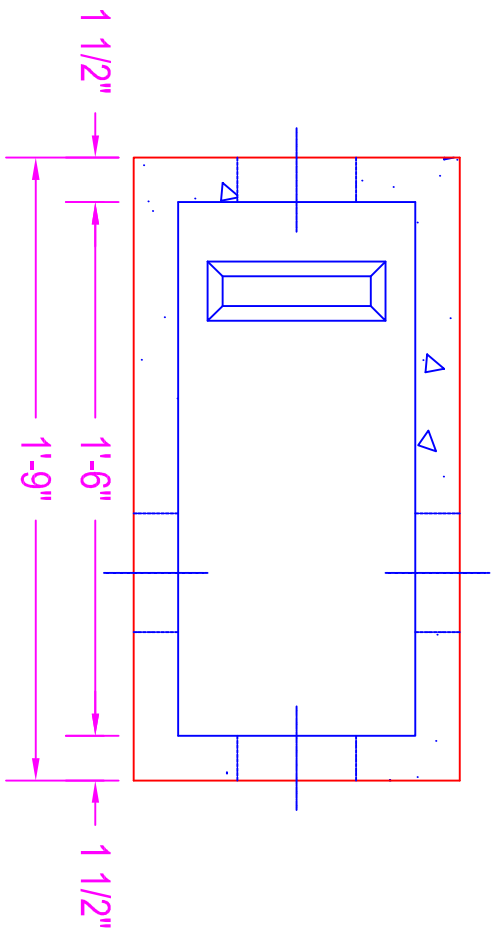


DROP BOX

NOTES:

CONCRETE: 5000 psi @ 28 days
 POLYPROPYLENE FIBERS
 REF.: #3 rebar in cover
 PIPE CONNECTS: polylok



750 Howard Street Elmira, NY 14904
 Fax: (607) 737-0291
 Phone: (607) 733-0568
 1-800-472-4335

Title: DROP BOX
 Scale: Not To Scale

Drawn By: JPS
 Drawing No.: 1030
 Date: 11-18-99