

# SEPTIC TANK ST-4000

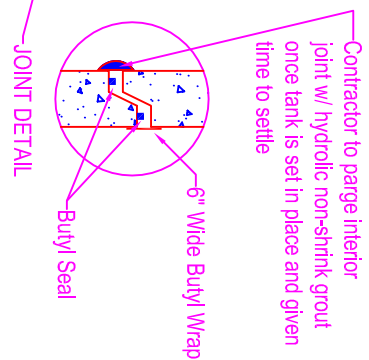
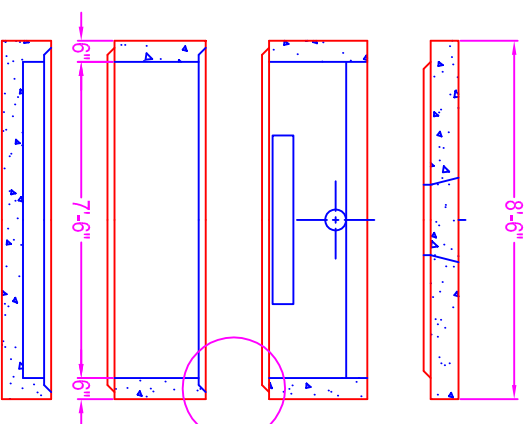
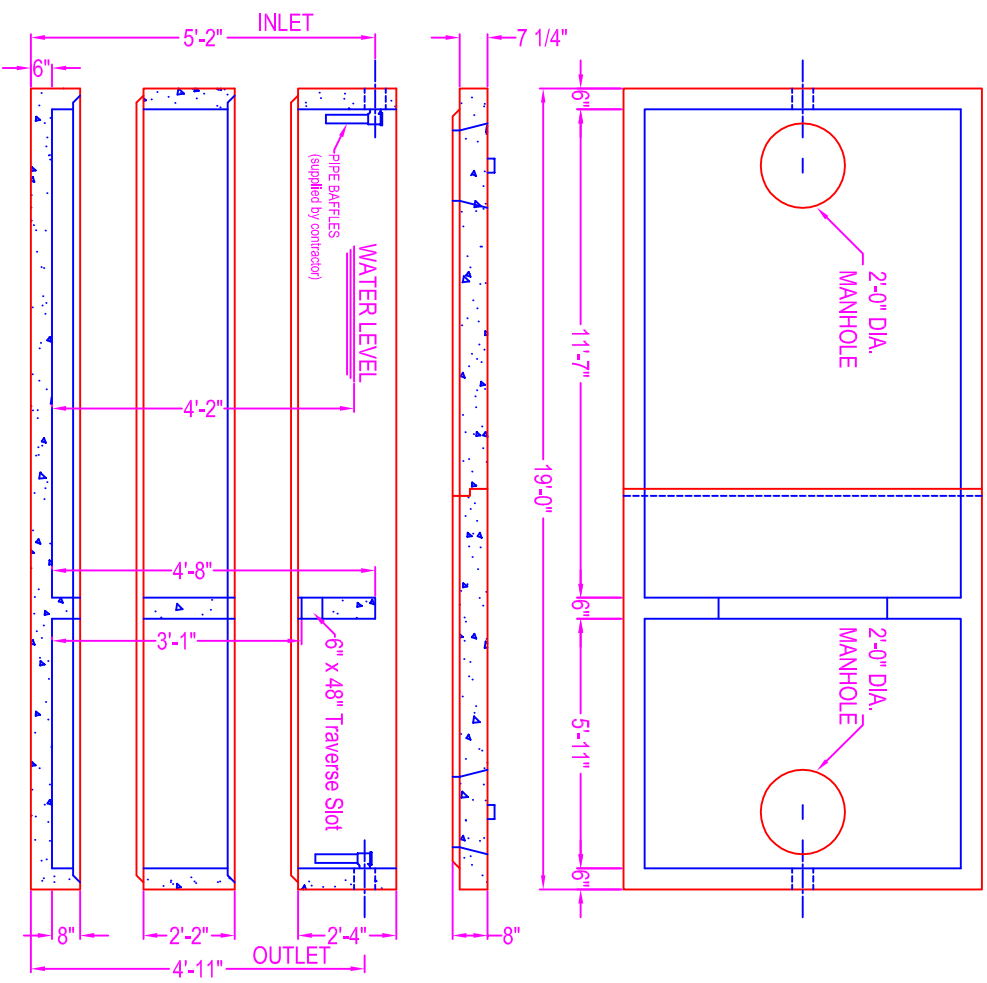
**NOTES:**

- CONCRETE: 5000 psi @ 28 days
- REF: rebar grade 60 ASTM A615
- ENTRAINED AIR: 5% to 8%
- DESIGN LOAD: AASHTO design
- LIVE LOAD: H20 traffic rating
- PIPE OPENINGS:

- pipe gasket seals
  - 4" PVC - KoI-N-Seal boot
  - 6" PVC - KoI-N-Seal boot
  - 8" PVC - KoI-N-Seal boot
  - grout filled opening
  - 4" PVC - 6" corecut (grout filled in field)
  - 6" PVC - 8" corecut (grout filled in field)
  - 8" PVC - 12" corecut (grout filled in field)
- The ultimate watertightness of the tank (grout filled pipe openings and section joint) is the responsibility of the installing contractor.

**WEIGHTS:**

- Base: 2.99 cy = 12,600 # (approx)
- Walls: 5.72 cy = 24,000 # (approx)
- Cover: 3.99 cy = 16,800 # (approx)



Joint Sealant  
Buryl Seal - Con Seal CS-102 (1") supplied by ZMW  
Buryl Wrap - Con Seal CS-213 (6" wide) supplied by ZMW (optional)  
Hydraulic non-shrink grout supplied and applied by contractor

**Zeiser**  
**Wilbert**  
VAULT, INC.  
CONCRETE PRODUCTS

750 Howard Street Elmira, NY 14904  
Fax: (607) 737-0291  
Phone: (607) 733-0568  
1-800-472-4335

**Title: ST-4000 H20 Traffic**  
**Scale: Not To Scale**

Drawn By: JPS  
Drawing No.: 01050915  
Date: 1-5-09