

EJIW EAST JORDAN
 IRON WORKS EST. 1883
 800-626-4653
 www.ejiw.com
 MADE IN USA

PRODUCT NUMBER

PAMF

CATALOG NUMBER

N/A

PA "M" FRAME

LOAD RATING
HEAVY DUTY

COATING
DIPPED

ESTIMATED WEIGHT
 FRAME: 142 LBS 64kg

MATERIAL SPECIFICATION
 FRAME - STEEL
 ASTM A36

OPEN AREA
 N/A

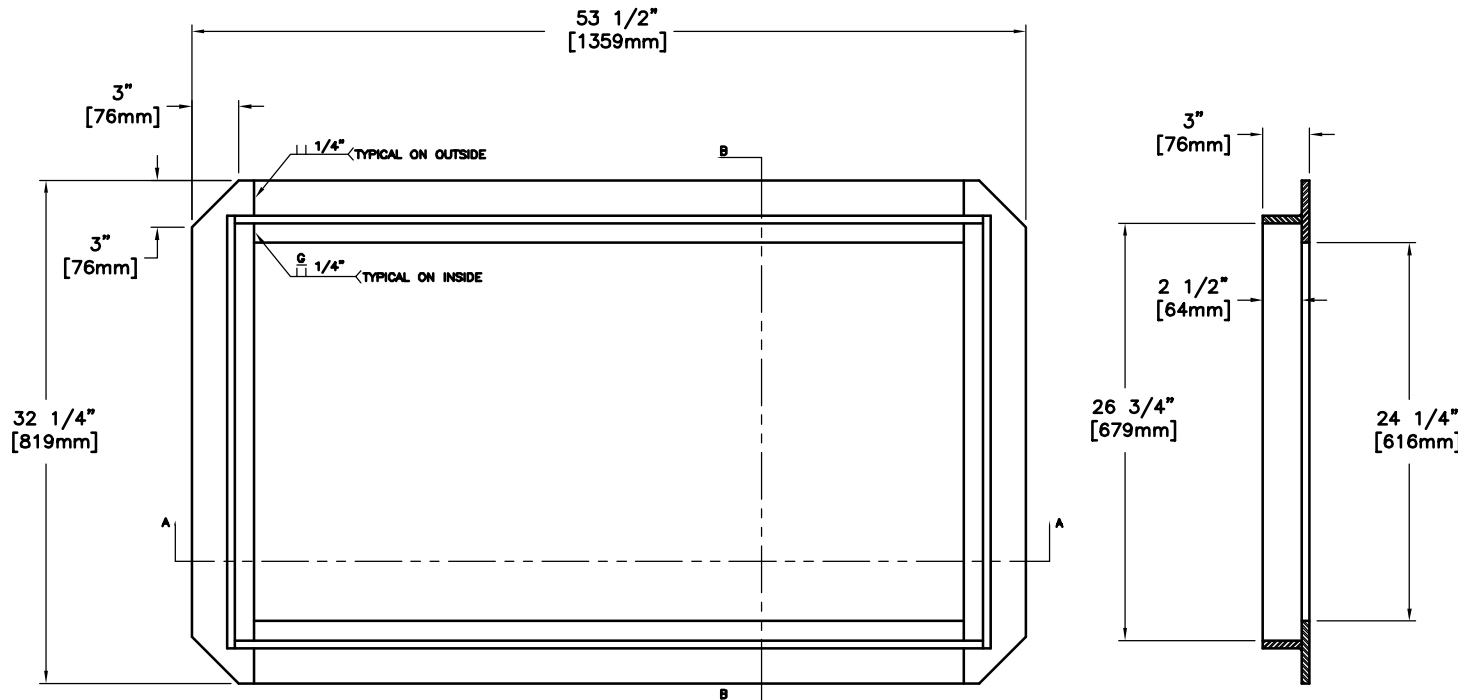
√ DESIGNATES MACHINE SURFACE

DRAWN BDD	DATE 11/17/04
--------------	------------------

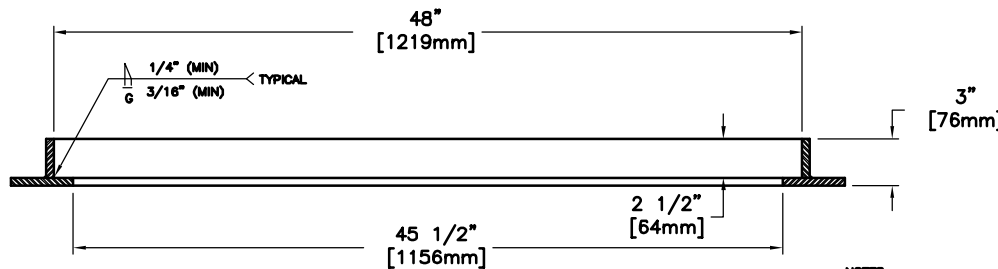
LAST REVISED CJC	DATE 07/03/07
---------------------	------------------

REFERENCE INFORMATION

OOXXXXXX



SECTION B-B



SECTION A-A

NOTES

1. THIS SHEET DEPICTS THE DIMENSIONS REQUIRED FOR UNIFORMITY AND INTERCHANGEABILITY. ONLY FRAMES SUPPLIED BY A MANUFACTURER LISTED IN BULLETIN 15 SHALL BE PERMITTED. FOR A BULLETIN 15 LISTING, SUBMIT A 22" X 36" REPRODUCIBLE SHOP DRAWING TO THE MATERIALS AND TESTING DIVISION, BUREAU OF CONSTRUCTION AND MATERIALS FOR REVIEW AND TESTING.
2. FRAMES SHALL BE MADE OF STRUCTURAL STEEL.
3. WELDS SHALL BE IN ACCORDANCE WITH THE REQUIREMENTS OF PUBLICATION 408, SECTION 1105.031(R). WELDING SHOPS ARE NOT REQUIRED TO BE AMERICAN INSTITUTE OF STEEL CONSTRUCTION (AISC) CERTIFIED.