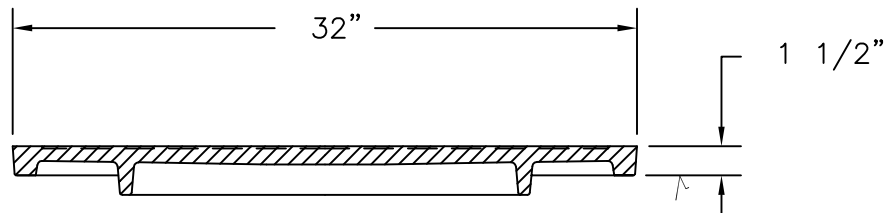
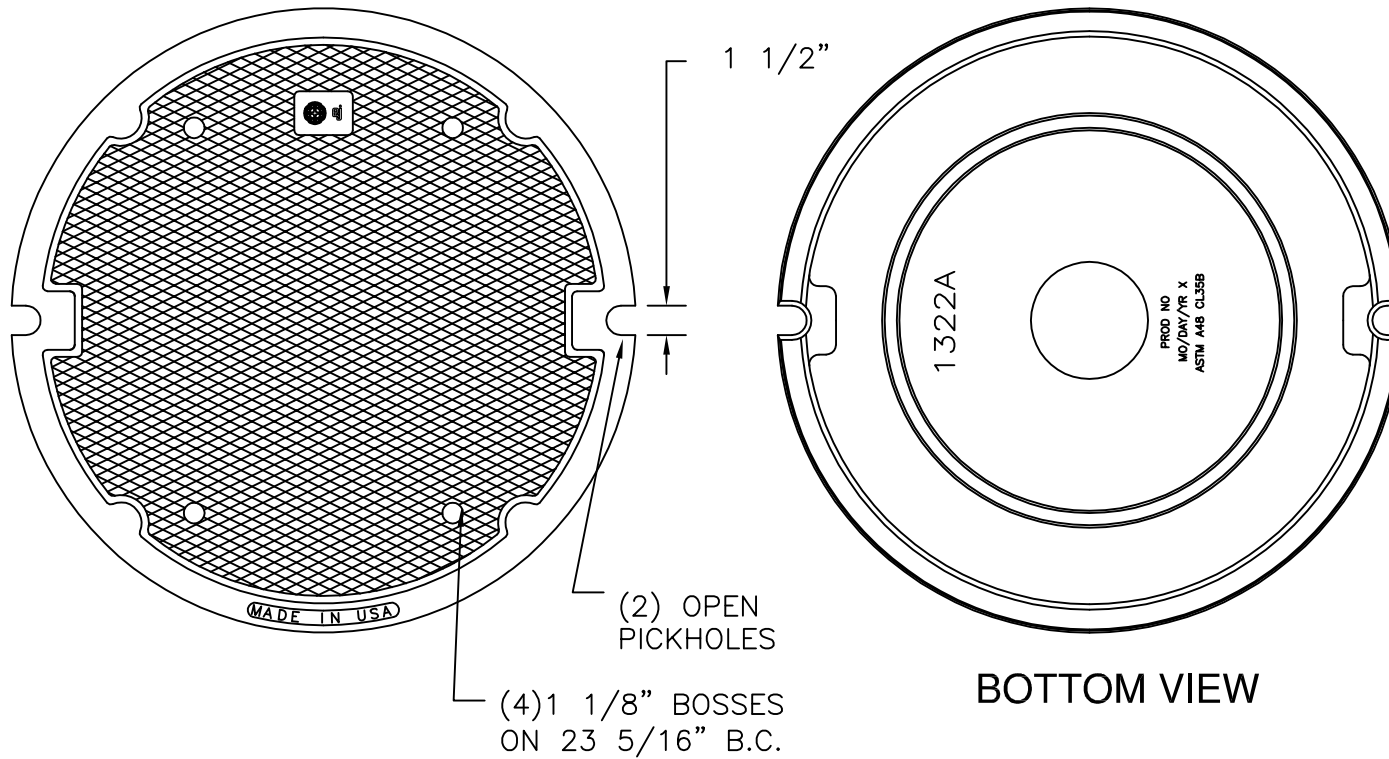
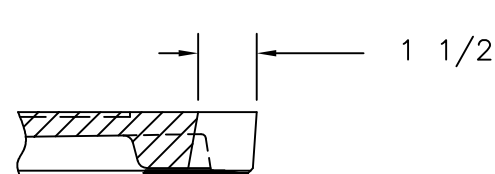


# 1322A Cover



SECTION



PICKHOLE

**Product Number**

00132221

**Design Features**

- Materials  
Gray Iron (CL35B)
- Design Load  
Heavy Duty  
H-20 Loading  
30kip
- Coating  
Undipped
- √ Designates Machined Surface
- Open Area  
n/a

**Certification**

- ASTM A48
- 
- 
- Country of Origin: USA

**Drawing Revision**

06/16/2004 Designer: DEW  
6/21/2013 Revised By: DAE

**Disclaimer**

Weights (lbs./kg) dimensions (inches/mm) and drawings provided for your guidance. We reserve the right to modify specifications without prior notice.

CONFIDENTIAL: This drawing is the property of EJ GROUP, Inc., and embodies confidential information, registered marks, patents, trade secret information, and/or know how that is the property of EJ GROUP, Inc. Copyright © 2012 EJ GROUP, Inc. All rights reserved.

**Contact**

800 626 4653  
ejco.com