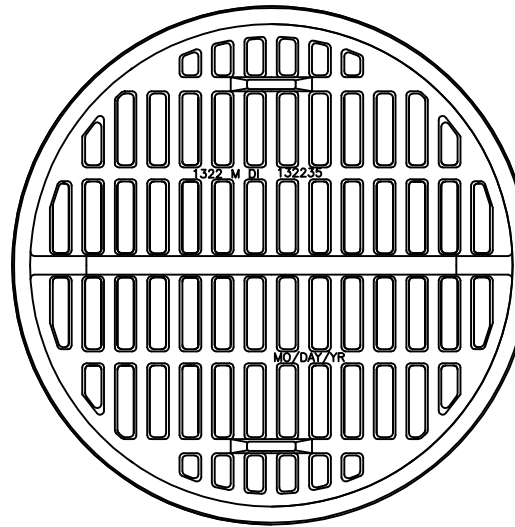
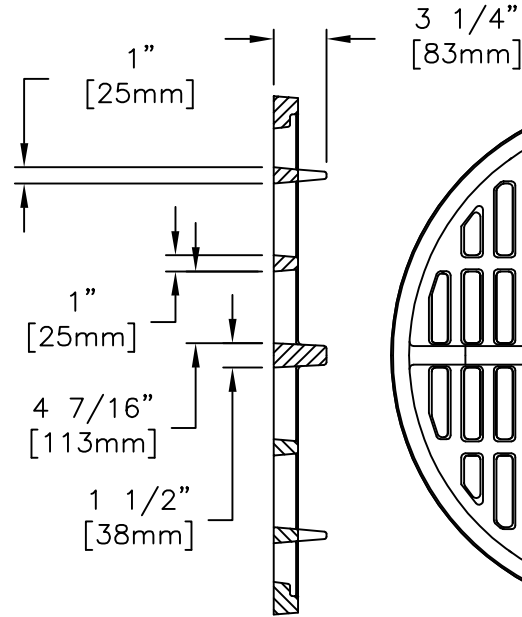
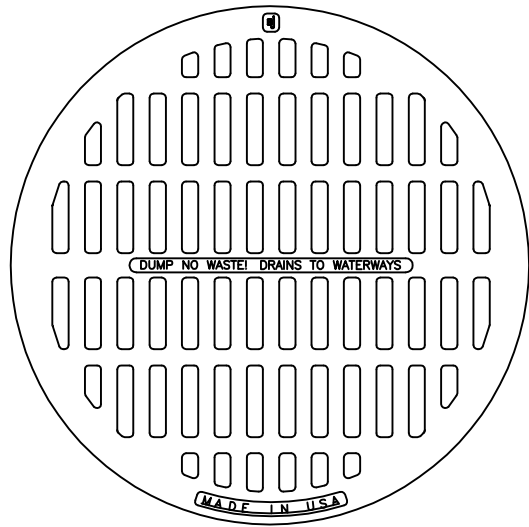
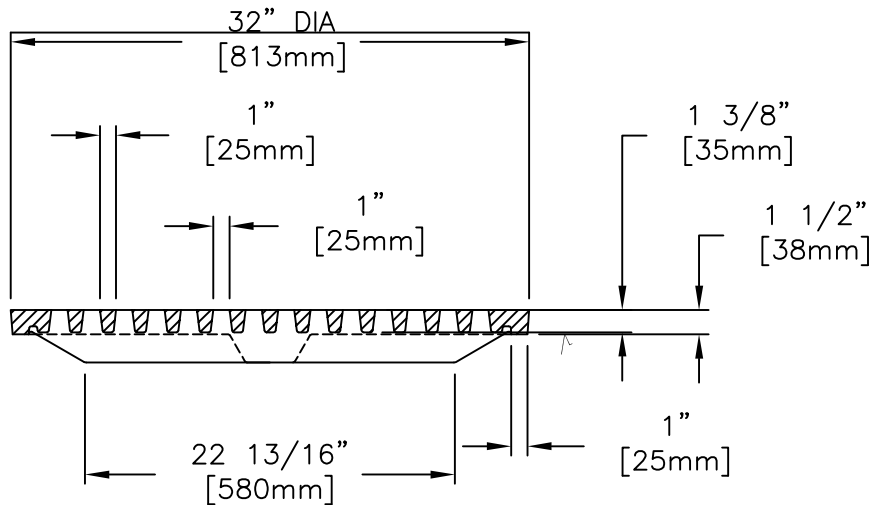


1322M Grate



SECTION

BOTTOM VIEW



SECTION

Product Number

00132235

Design Features

- Materials
 - Ductile Iron (70-50-05)
- Design Load
 - Extra Heavy Duty
- Open Area
 - 240 Sq. Inches
- Coating
 - Undipped
- √ Designates Machined Surface

Certification

- ASTM A536
-
-
- Country of Origin: USA

Drawing Revision

06/19/2003 Designer: DEW
05/09/2014 Revised By: DVD

Disclaimer

Weights (lbs./kg) dimensions (inches/mm) and drawings provided for your guidance. We reserve the right to modify specifications without prior notice.

CONFIDENTIAL: This drawing is the property of EJ GROUP, Inc., and embodies confidential information, registered marks, patents, trade secret information, and/or know how that is the property of EJ GROUP, Inc. Copyright © 2012 EJ GROUP, Inc. All rights reserved.

Contact

800 626 4653
ejco.com