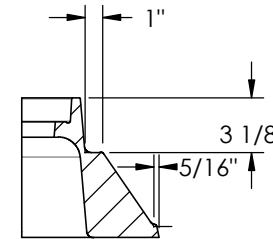
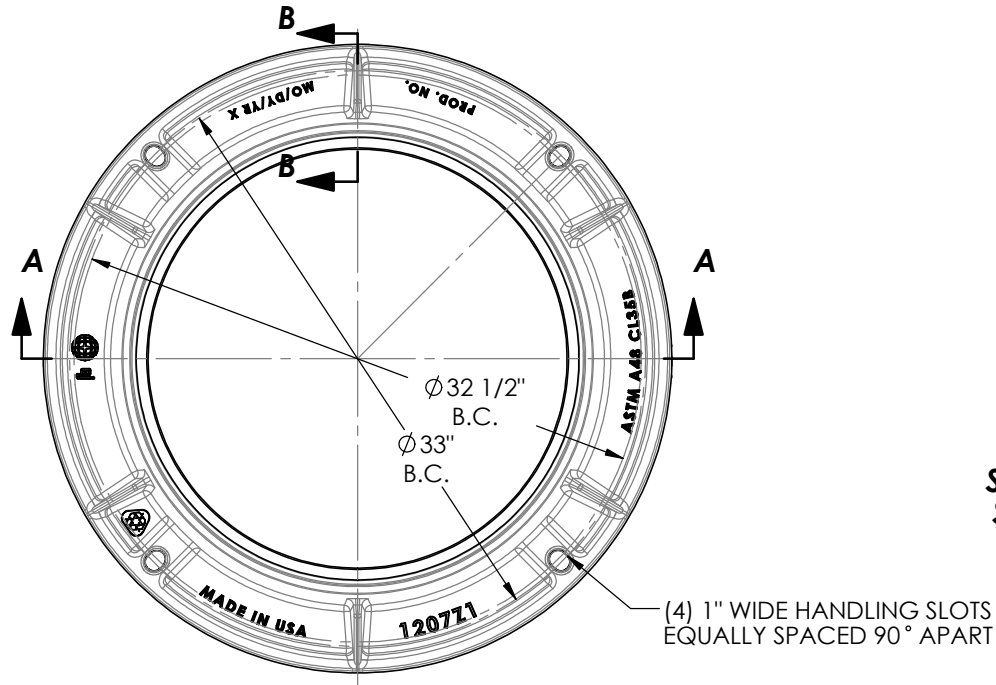
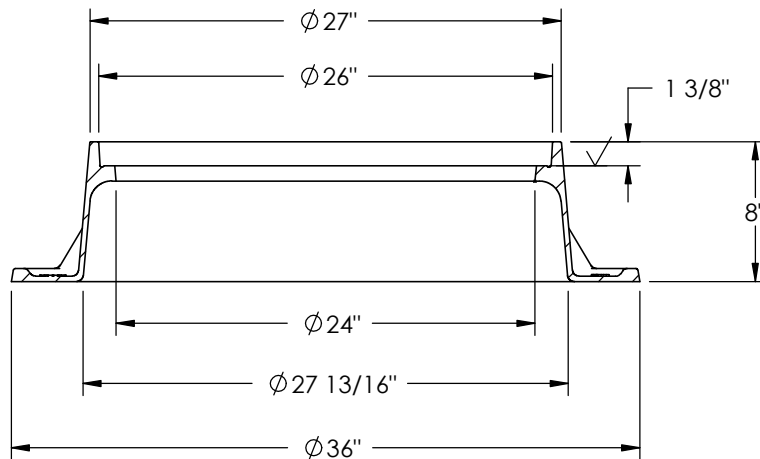


# 1207 Frame



**SECTION B-B**  
**SCALE 1 : 11**



**SECTION A-A**

## Product Number

00120715

## Design Features

- Materials  
Gray Iron (CL35B)
- Design Load  
Heavy Duty (H-25)
- Open Area
- Coating  
Undipped
- √ Designates Machined Surface

## Certification

- ASTM A48
- 
- 
- Country of Origin: USA

## Drawing Revision

5/8/2008 Designer: DEW  
3/21/2012 Revised By: SDC

## Disclaimer

Weights (lbs/kg), dimensions (inches/mm) and drawings provided for your guidance. We reserve the right to modify specifications without prior notice.

CONFIDENTIAL: This drawing is the property of EJ Group, Inc. and embodies confidential information, registered marks, patents, trade secret information, and/or know how that is the property of EJ Group, Inc. Copyright © 2011 EJ Group, Inc. All rights reserved.

## Contact

800 626 4653  
ejco.com