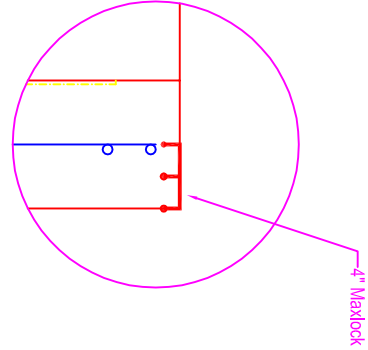
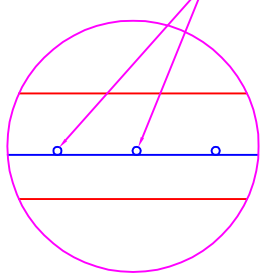
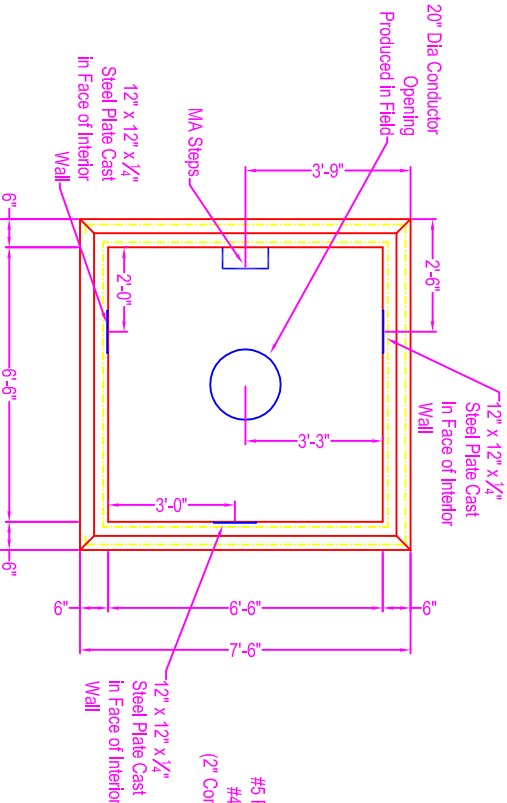


GAS WELL CELLAR

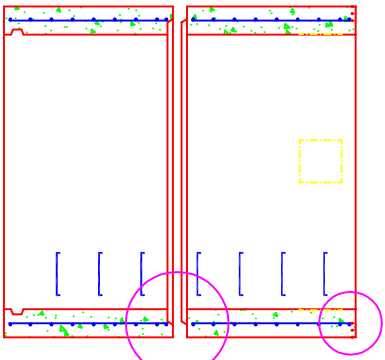
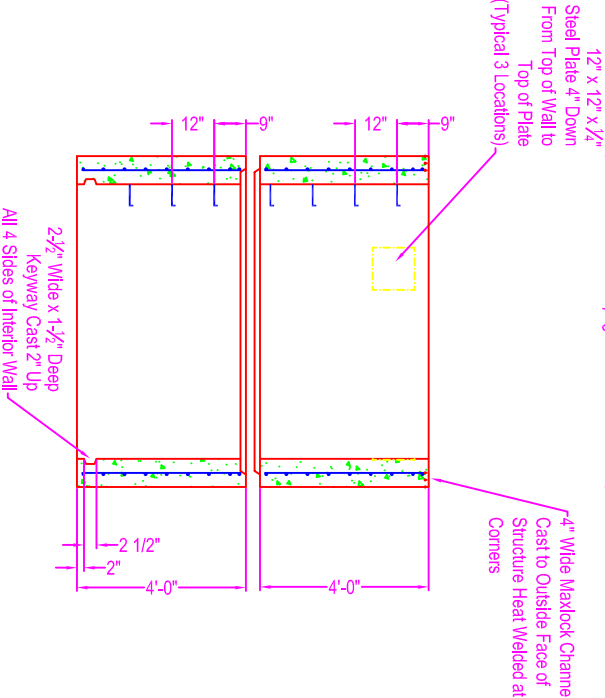
NOTES:

- CONCRETE: 5000 psi @ 28 days
- REF: Grade 60 Black Bar as Shown Below
- STEPS: MA Industries - polypropylene steps in walls
- PLATES: 1/4" steel plates on interior face of top section walls in 3 locations
- KEYWAY: as shown on detail

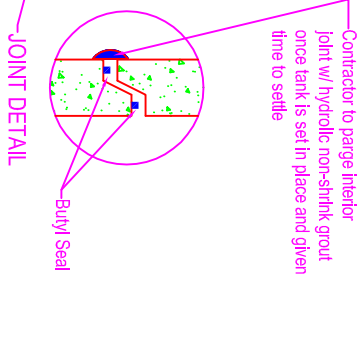
WEIGHT:
8,400 # per section



MAXLOCK DETAIL



REINFORCING



JOINT DETAIL

Contractor to purge interior joint w/ hydraulic non-sink grout once tank is set in place and given time to settle

Joint Sealant
Butyl Seal - Con Seal CS-102 (1")
supplied by ZMV
Hydraulic non-sink grout
supplied and applied by contractor



Zeiser Wilbert
VAULT INC.
750 Howard Street Elmira, NY 14904
Fax: (607) 737-0291
Phone: (607) 733-0568
1-800-472-4335

Title: Gas Well Cellar
Scale: Not To Scale

Drawn By: JPS
Drawing No.: 04191801
Date: 4-19-18