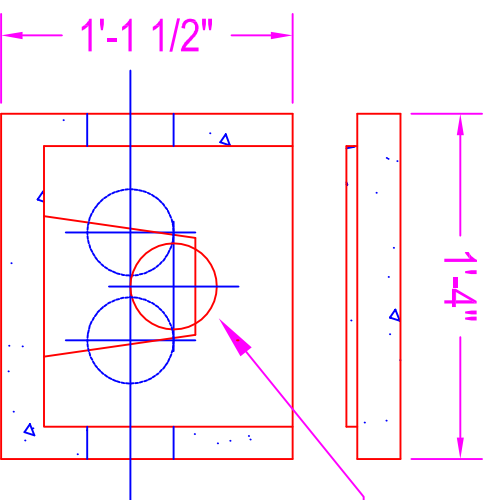
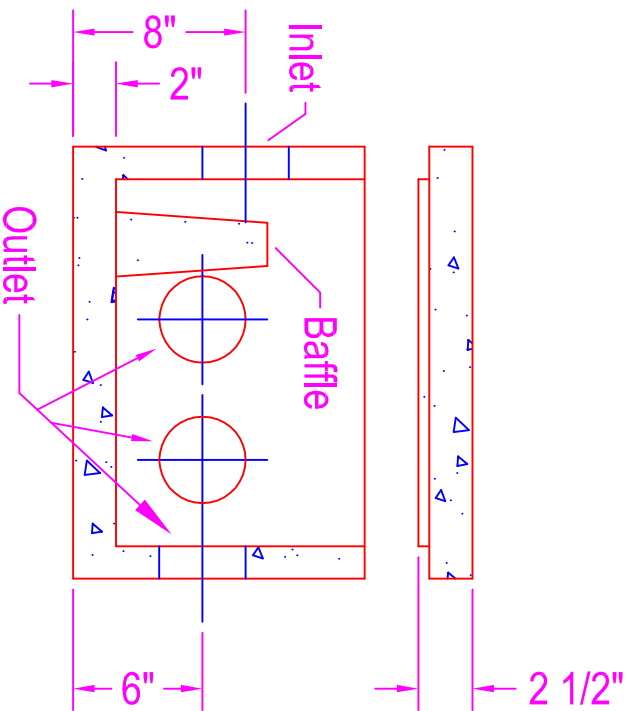
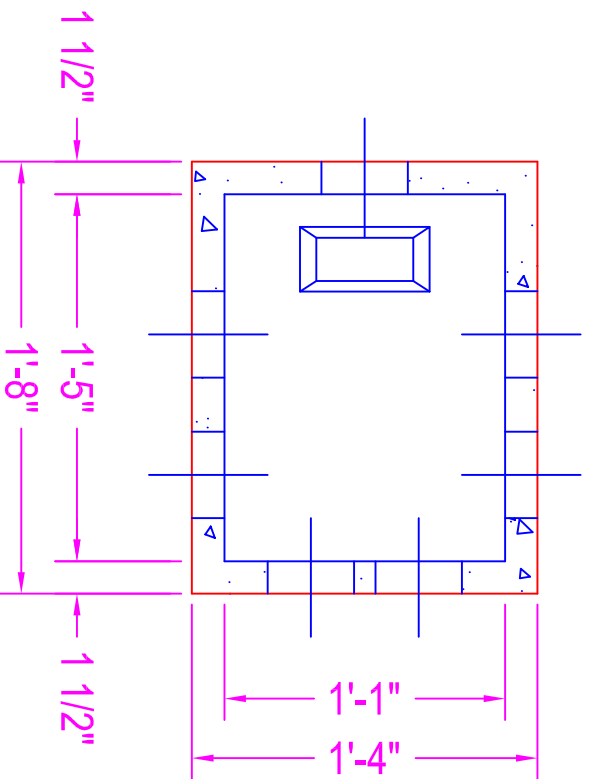


DISTRIBUTION BOX


1-INLET
6-OUTLETS

NOTES:

CONCRETE: 5000 psi @ 28 days
 REF: Polypropylene fibers
 #3 rebar & 4x4 12.5 mesh
 in box
 #3 rebar in cover
 PIPE CONNECTS: Polylok



Polylok See
Spec. Sheet

 Zeiser Wilbert VAULT, INC. CONCRETE PRODUCTS	750 Howard Street Elmira, NY 14904 Fax: (607) 737-0291 Phone: (607) 733-0568 1-800-472-4335
---	--

Title: 6 HOLE DB
Scale: Not To Scale

Drawn By: JPS
Drawing No.: 1032A
Date: 12-14-00