

# CATCH BASIN

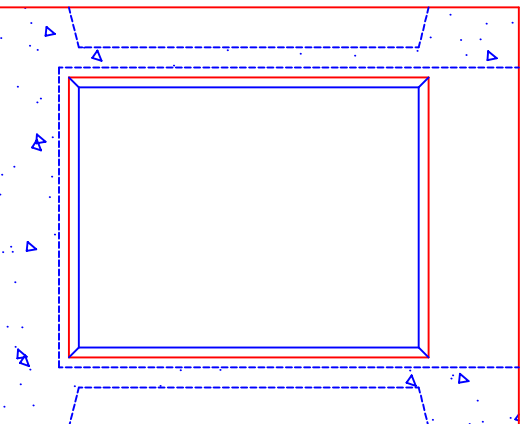
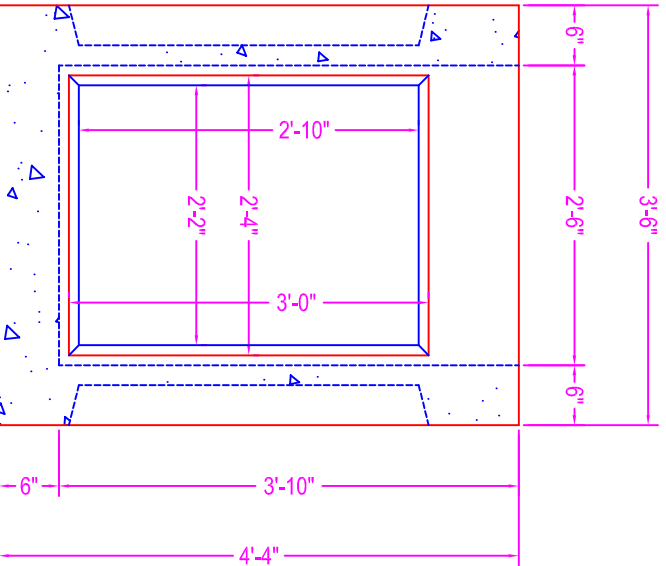
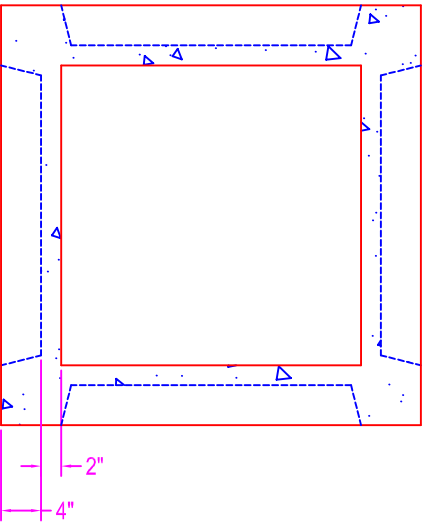
## NOTES:

ASTM C-478

CONCRETE: 5000 psi @ 28 days

REF.: #3 rebar @ 6" o.c. each way  
w/ 4 x 4 12.5 ga. mesh

OPENINGS: knockout areas on 4 sides



**Zeiser**  
**Wilbert**  
VAULT, INC.  
CONCRETE PRODUCTS

750 Howard Street Elmira, NY 14904  
Fax: (607) 737-0291  
Phone: (607) 733-0568  
1-800-472-4335

**Title: 30" X 30" CATCH BASIN**  
Scale: Not To Scale

Drawn By: JPS  
Drawing No.: 1055  
Date: 1-5-00