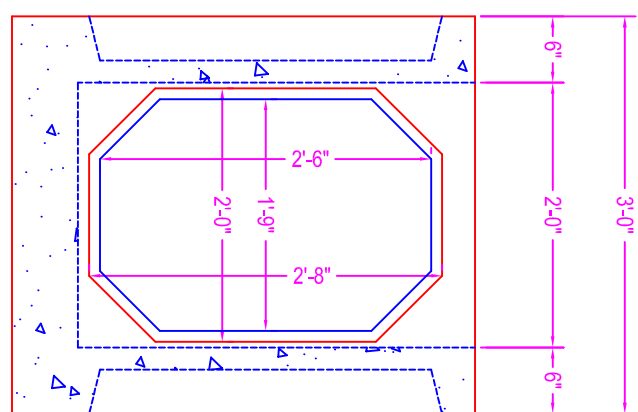
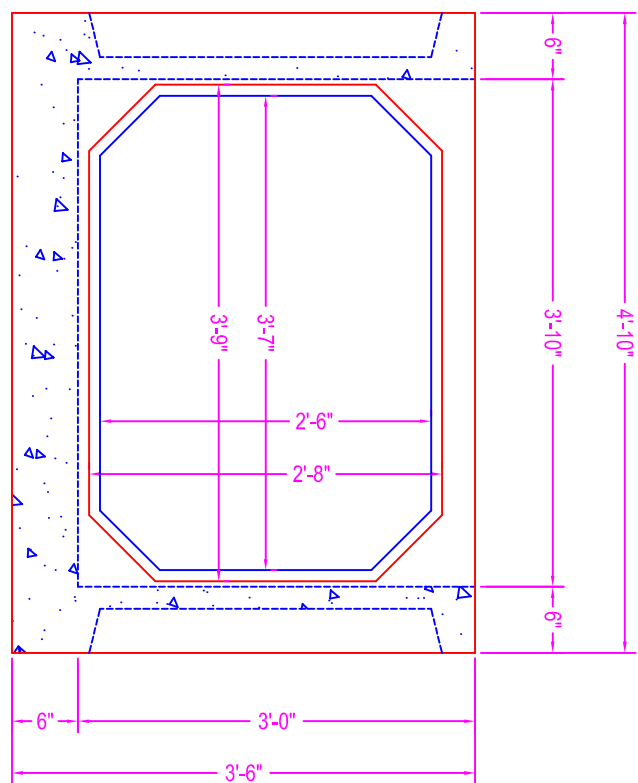
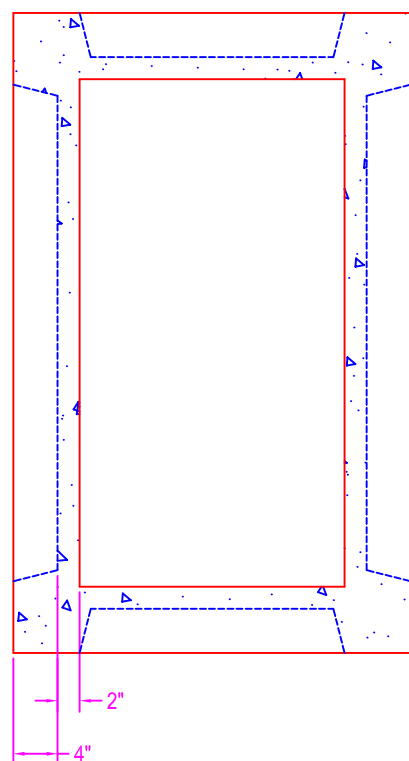


# CATCH BASIN

NOTES:  
 ASTM-478  
 CONCRETE: 5000 psi @ 28 days  
 REF.: #3 rebar  
 OPENINGS: knockout areas on 4 sides



**Zeiser**  
**Wilbert**  
 VAULT, INC.  
 CONCRETE PRODUCTS

750 Howard Street Elmira, NY 14904  
 Fax: (607) 737-0291  
 Phone: (607) 733-0568  
 1-800-472-4335

**Title: 2' X 4' CATCH BASIN**

Scale: Not To Scale

Drawn By: JPS  
 Drawing No.: 1054  
 Date: 1-5-00