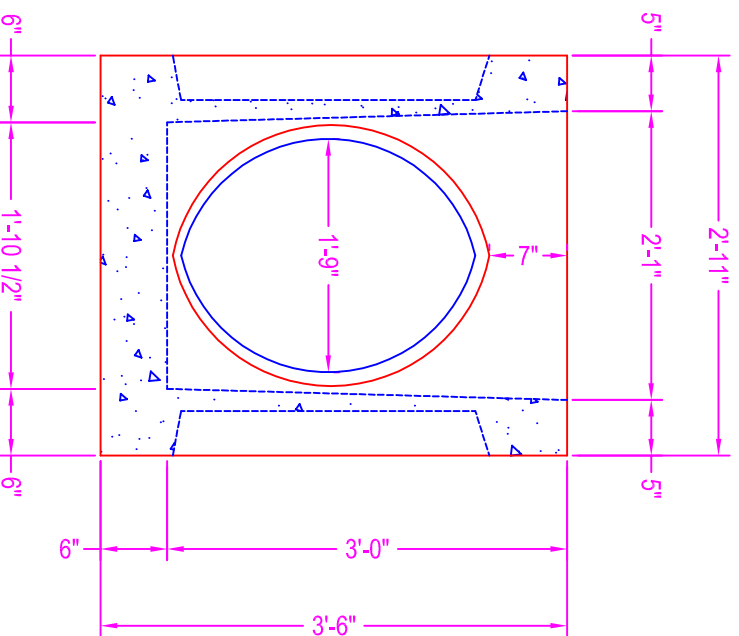
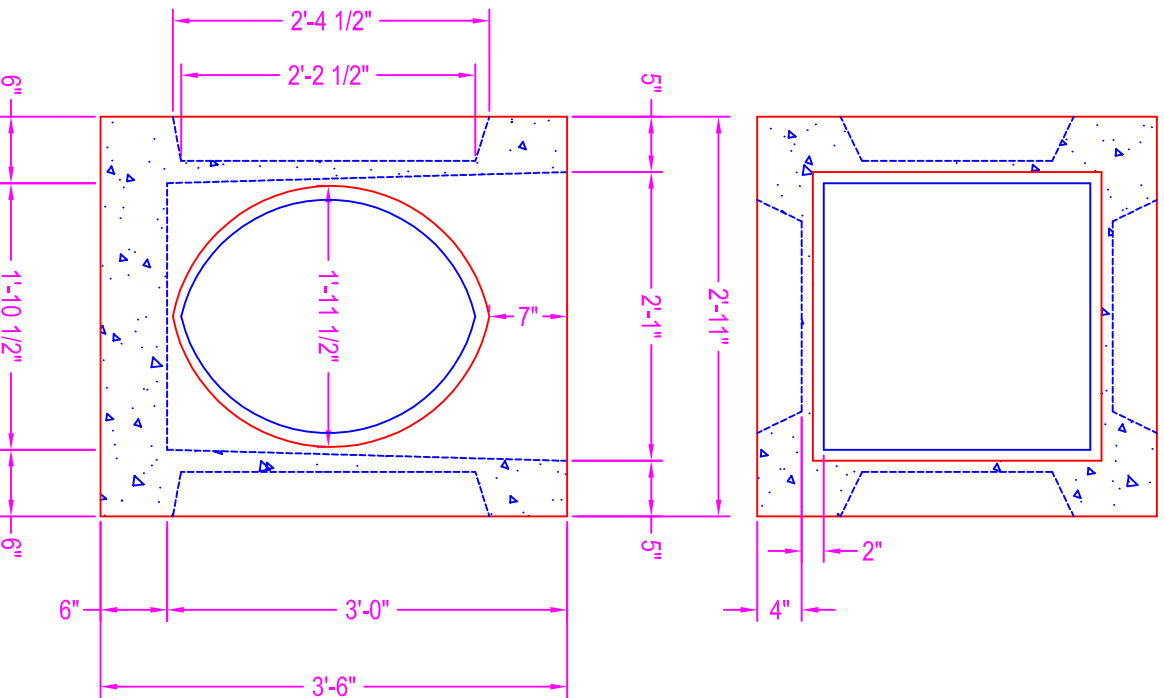


CATCH BASIN

NOTES:

- ASTM - 478
- CONCRETE: 5000 psi @ 28 days
- REF.: #3 rebar w/ 4x4 12.5 ga.
- wiremesh in all directions
- KNOCKOUT AREA: 26 1/2" x 21" i.d.**
- all 4 sides
- Walls Taper From 5" to 6"



Zeiser
Wilbert
 VAULT INC.
 CONCRETE PRODUCTS

750 Howard Street Elmira, NY 14904
 Fax: (607) 737-0291
 Phone: (607) 733-0568
 1-800-472-4335

Title: 2 X 2 CATCH BASIN
 Scale: Not To Scale

Drawn By: JPS
 Drawing No.: 1051
 Date: 12-31-99