

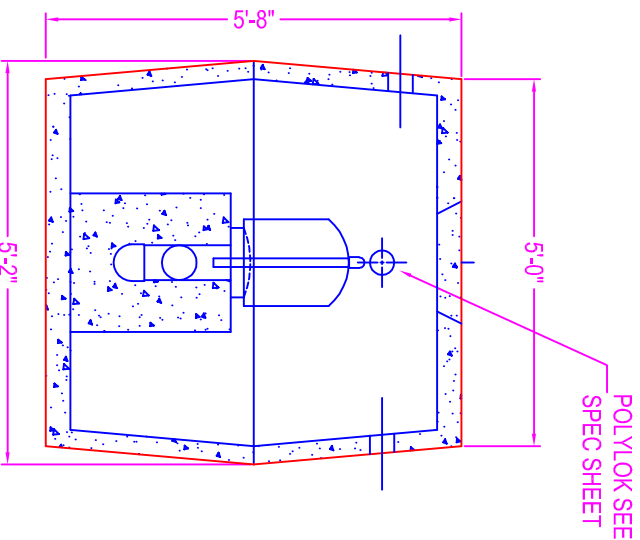
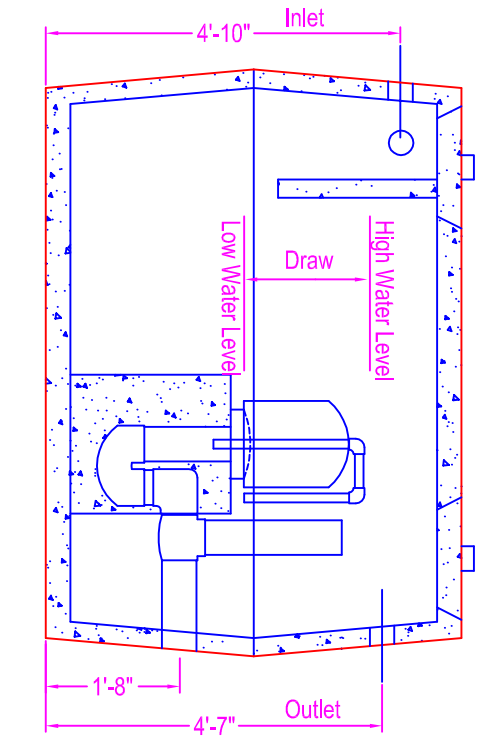
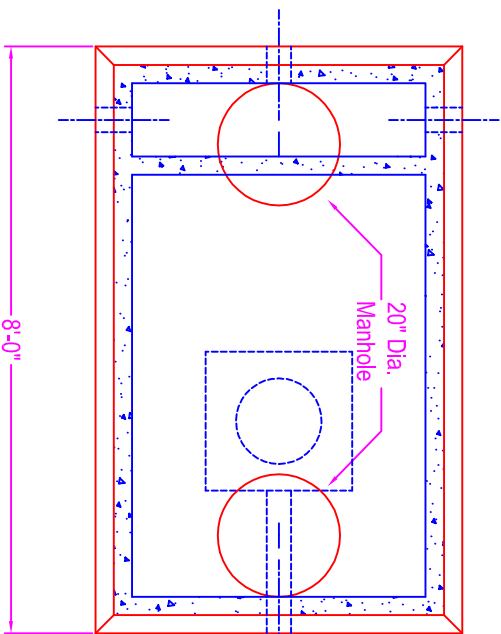
"DRAW": distance between high water level & low water level
 DRAW: Single-12"
 FLOW RATE: 78gal to 80 gal per min.
 Gallons per discharge (is determined by the volume of the tank and the siphon spec.)

SIPHON TANK 255 GALLON DISCHARGE

3-INLETS
 1-OUTLET

NOTES:

CAPACITY: 1000 Gallons
 CONCRETE: 5000 psi @ 28 days
 POLYPROPYLENE FIBERS
 REF.: #3 rebar 8" o.c. throughout
 PIPE CONNECTS: Polylok
 INLET: concrete monolithic
 OUTLET: 3" sch 40 PVC



Zeiser
Wilbert
 VAULT, INC.
 CONCRETE PRODUCTS

750 Howard Street Elmira, NY 14904
 Fax: (607) 737-0291
 Phone: (607) 733-0568
 1-800-472-4335

Title: 255 GALLON SIPHON

Scale: Not To Scale

Drawn By: JPS
 Drawing No.: 1026
 Date: 11-11-99