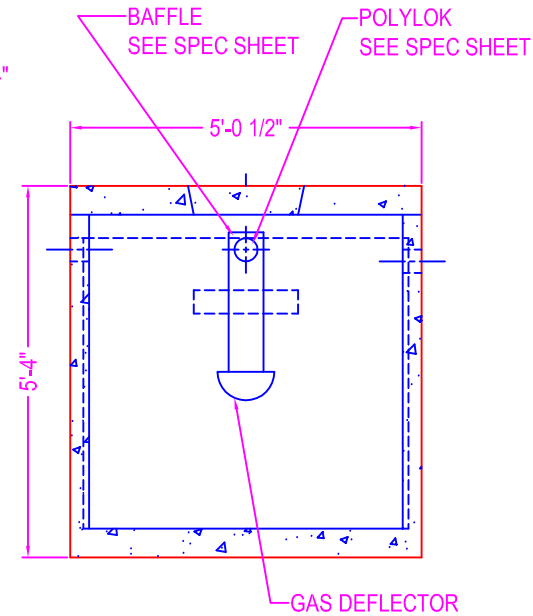
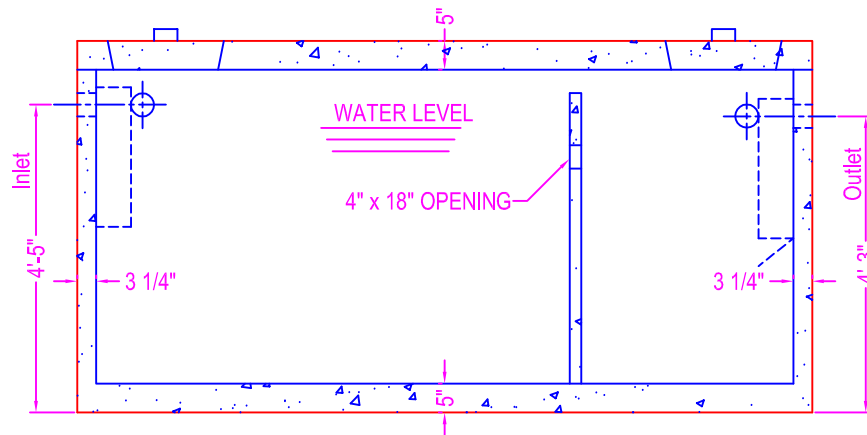
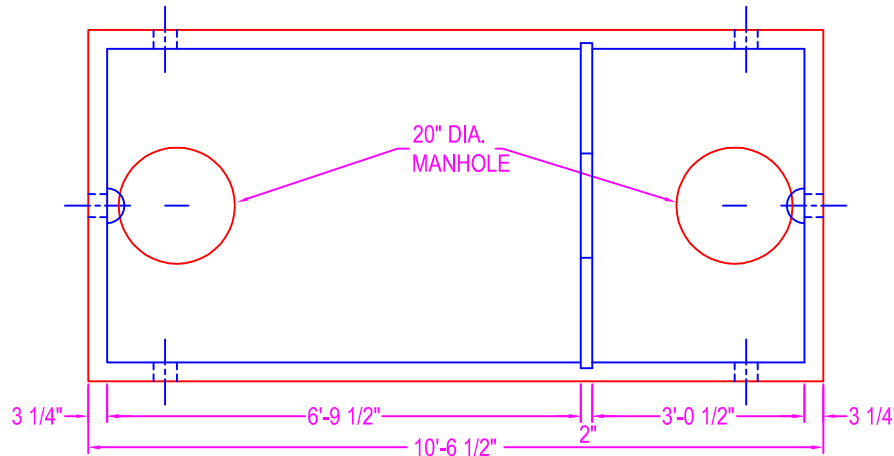



# SEPTIC TANK ST-1250

3-INLETS  
3-OUTLETS

NOTES:

CONCRETE: 5000 psi @ 28 days  
 REF: Matrix HPS fiber mesh  
       rebar grade 60 ASTM A615  
 ENTRAINED AIR: +/- 5% to 8%  
 DESIGN LOAD: 300 psf / non-traffic  
 LIVE LOAD: N/A  
 EARTH FILL: 24" max fill depth  
 BUOYANCY FACTOR: N/A  
 PIPE CONNECTS: polylok (cast in)  
 BAFFLE: plastic baffle w/ gas deflector  
           on outlet opening  
           plastic baffle on inlet



**Zeiser**  
  
**Wilbert**  
 VAULT, INC.  
 CONCRETE PRODUCTS

750 Howard Street Elmira, NY 14904  
 Fax: (607) 737-0291  
 Phone: (607) 733-0568  
 1-800-472-4335

Title: ST-1250 Two Comp

Scale: Not To Scale

Drawn By: JPS

Drawing No.: 01020906

Date: 1-2-09