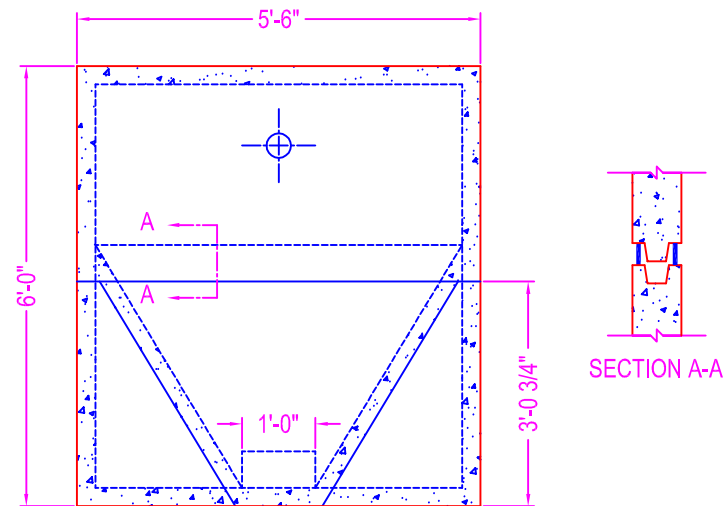
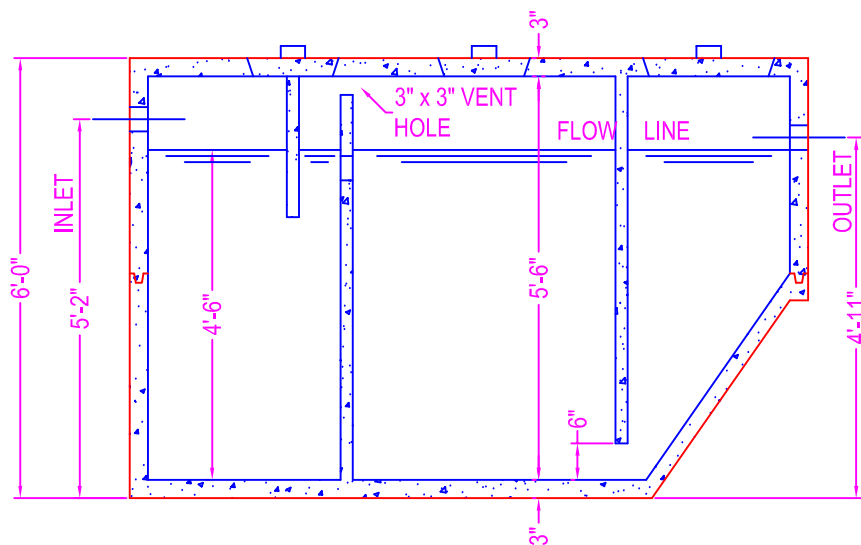
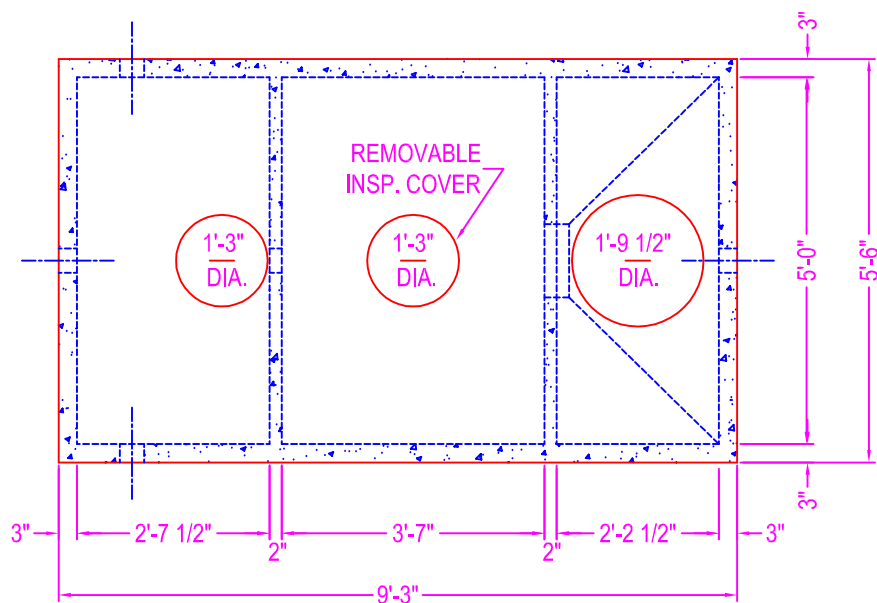


OIL SEPARATOR OT - 1200

NOTES:

- CONCRETE: 5000 psi @ 28 days
- REF.: #3 rebar around seams (single bar)
- #3 rebar @ 12" o.c. each way top & bottom
- POLYPROPYLENE FIBERS
- INLET/OUTLET: Polylok

Contractor has the option of using chimney's to bring the tank to grade or using cast iron frame & covers to replace the concrete wedge plugs.



	750 Howard Street Elmira, NY 14904 Fax: (607) 737-0291 Phone: (607) 733-0568 1-800-472-4335	Title: OT-1200	Drawn By: JPS
		Scale: Not To Scale	Drawing No.: 1040
			Date: 12-21-99