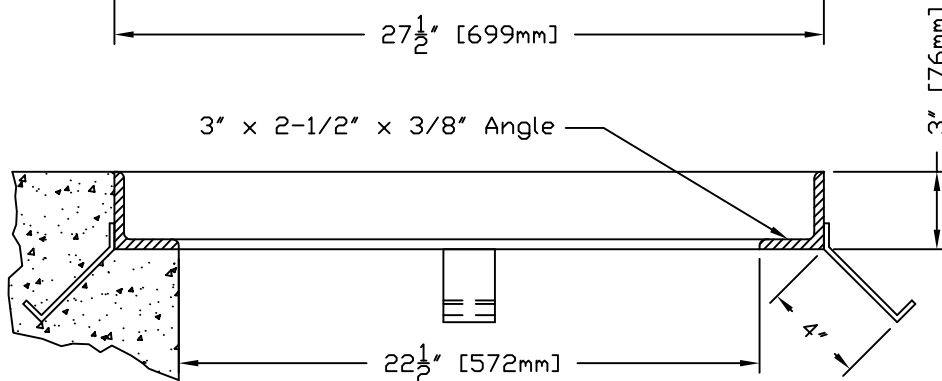
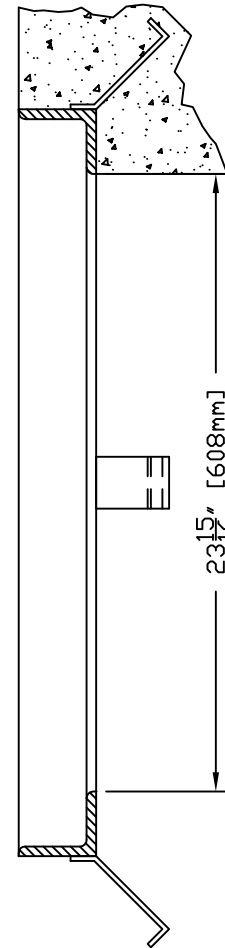
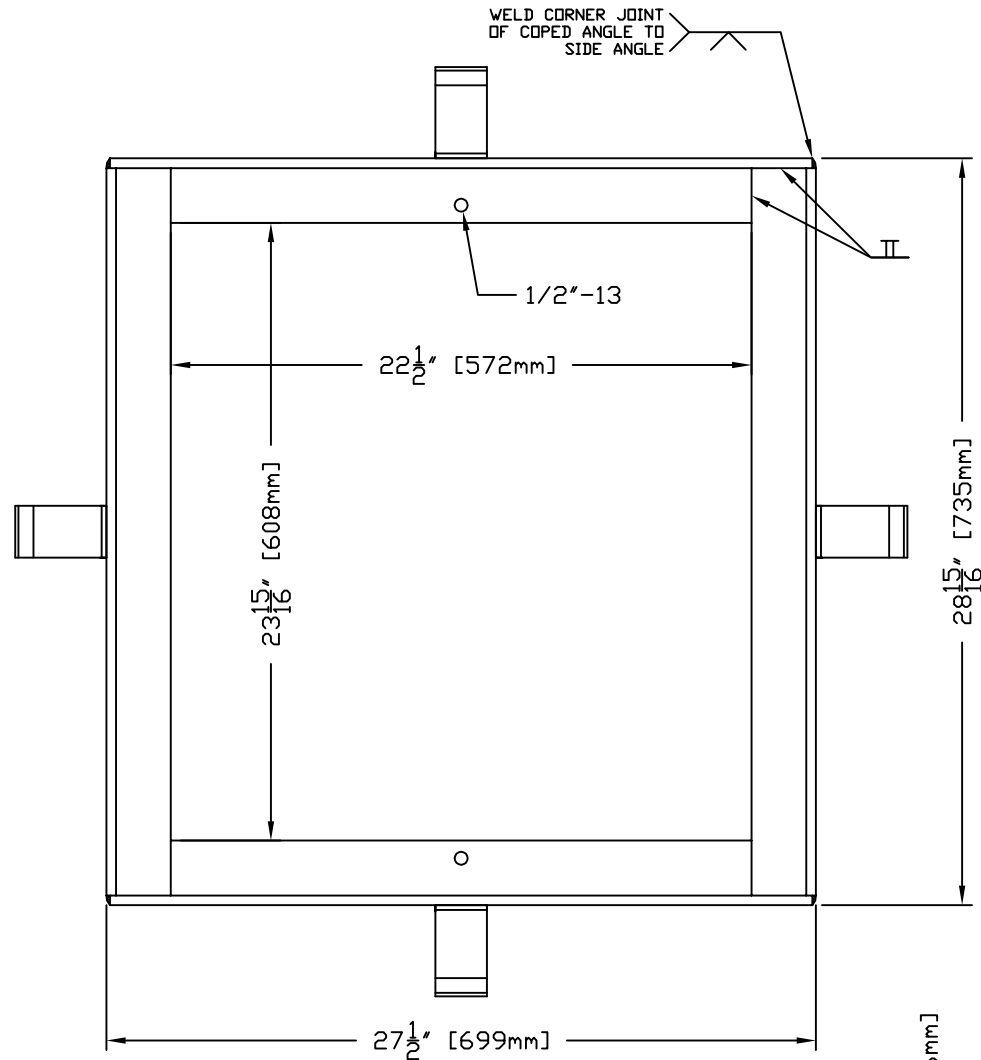


Galvanized Steel Frame



Product Number

655F-09WA4

Design Features

- Materials
Hot Rolled Steel
- Design Load
Per NYSDOT Standard Sheet
655-05 & 655-07
- Coating
Galvanized

Certification

- WT 60 lbs
- Country of Origin: Made in USA

Drawing Revision

- 07/30/13 Designer: TJM
- 01/03/14 Revised By: TJM

Disclaimer

Weights (lbs/kg), dimensions (inches/mm) and drawings provided for your guidance. We reserve the right to modify specifications without prior notice.

CONFIDENTIAL: This drawing is the property of EJ Group, Inc. and embodies confidential information, registered marks, patents, trade secret information, and/or know-how that is the property of EJ Group, Inc. Copyright © 2011 EJ Group, Inc. All rights reserved.

Contact

800 626 4653
ejco.com

MATERIAL SHALL BE HOT ROLLED STEEL CONFORMING TO ASTM A36.

ALL STEEL SHALL BE MADE FROM DOMESTIC MILLS ONLY (MADE IN USA).

GRATE SHALL BE GALVANIZED IN CONFORMANCE WITH SUBSECTION 719-01 TYPE 1 OF THE NYSDOT STANDARD SPECIFICATIONS, ASTM A123 AFTER FABRICATION.