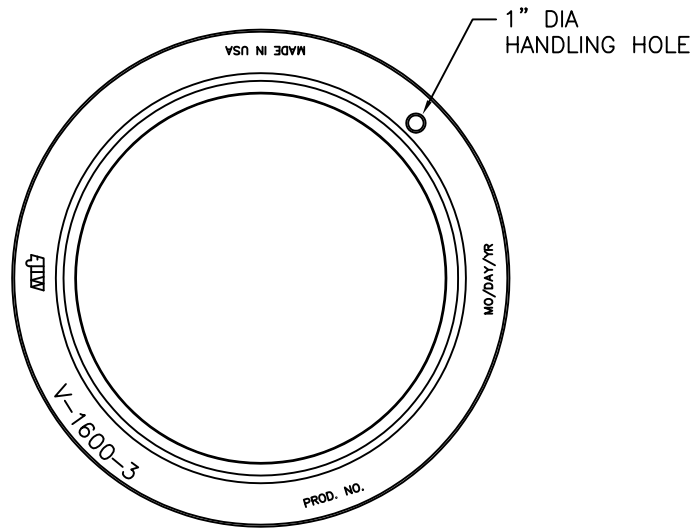
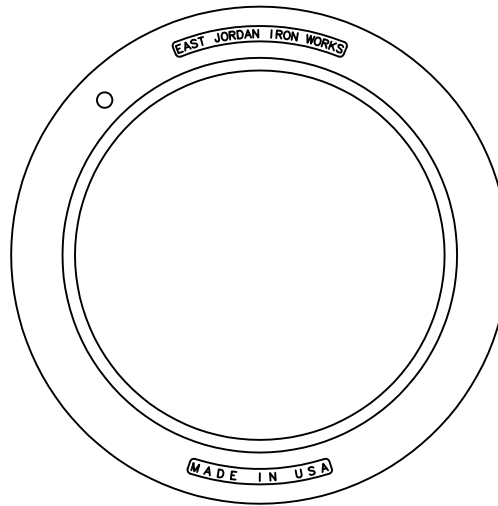


V1600-3

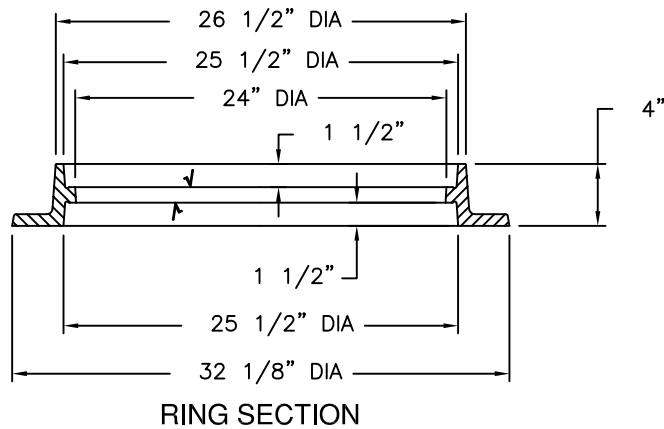
Frame



RING BOTTOM FLANGE VIEW



RING TOP FLANGE VIEW



RING SECTION

NOTE: FRAME IS REVERSIBLE.
WHEN ORDERING, SPECIFY TOP FLANGE
OR BOTTOM FLANGE

Product Number

41600310

Design Features

- Materials
Gray Iron (CL35B)
- Design Load
Heavy Duty
- Open Area
n/a
- Coating
Undipped
- √ Designates Machined Surface

-Estimated Weight

118 lbs

Certification

- ASTM A48
-
- Country of Origin: USA

Drawing Revision

02/10/2009 Designer: DEW
08/06/2012 Revised By: SDC

Disclaimer

Weights (lbs./kg) dimensions (inches/mm) and drawings provided for your guidance. We reserve the right to modify specifications without prior notice.

CONFIDENTIAL: This drawing is the property of EJ GROUP, Inc., and embodies confidential information, registered marks, patents, trade secret information, and/or know how that is the property of EJ GROUP, Inc. Copyright © 2012 EJ GROUP, Inc. All rights reserved.

Contact

800 626 4653
ejco.com