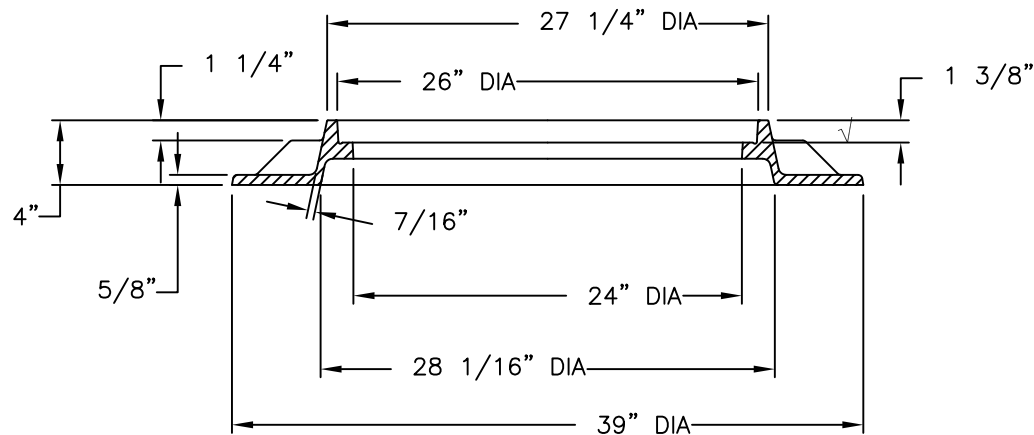
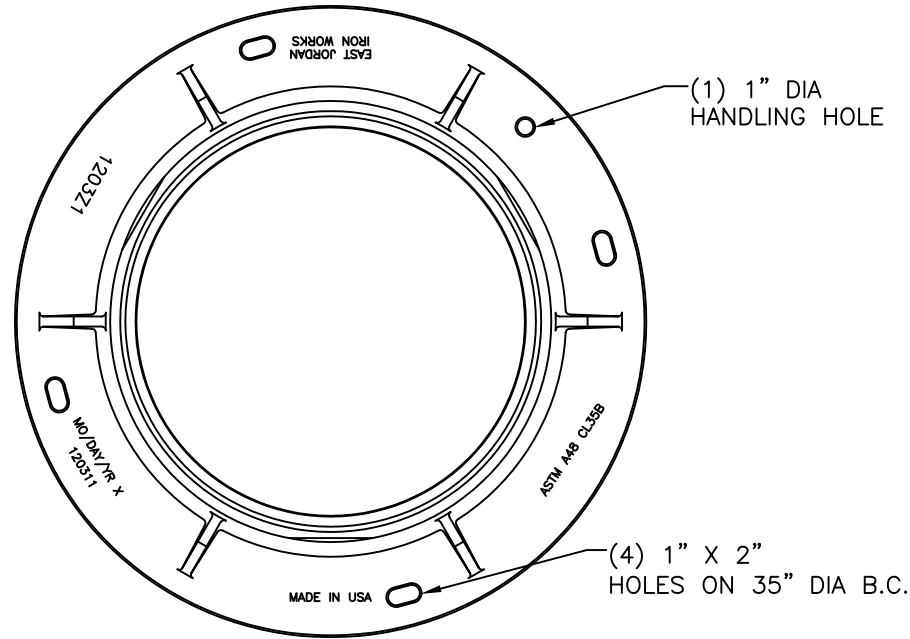


# 1203 Frame



FRAME SECTION

## Product Number

00120311

## Design Features

- Materials  
Gray Iron (CL35)
- Design Load  
Heavy Duty
- Open Area  
n/a
- Coating  
Undipped
- √ Designates Machined Surface

## Certification

- ASTM A48
- 
- 
- Country of Origin: USA

## Drawing Revision

07/29/2004 Designer: DEW  
05/17/2012 Revised By: SDC

## Disclaimer

Weights (lbs./kg) dimensions (inches/mm) and drawings provided for your guidance. We reserve the right to modify specifications without prior notice.

CONFIDENTIAL: This drawing is the property of EJ GROUP, Inc., and embodies confidential information, registered marks, patents, trade secret information, and/or know how that is the property of EJ GROUP, Inc. Copyright © 2011 EJ GROUP, Inc. All rights reserved.

## Contact

800 626 4653  
ejco.com