

CATCH BASIN

NOTES:

ASTM C-478

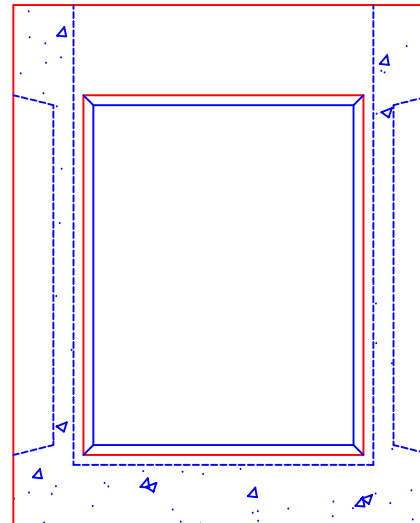
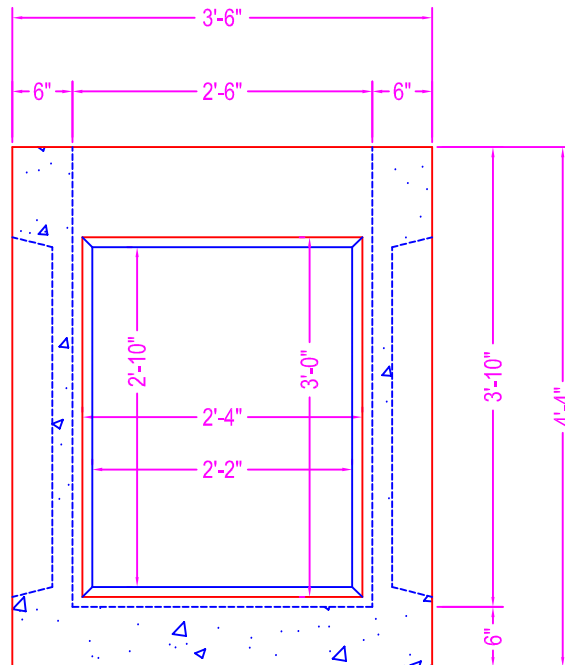
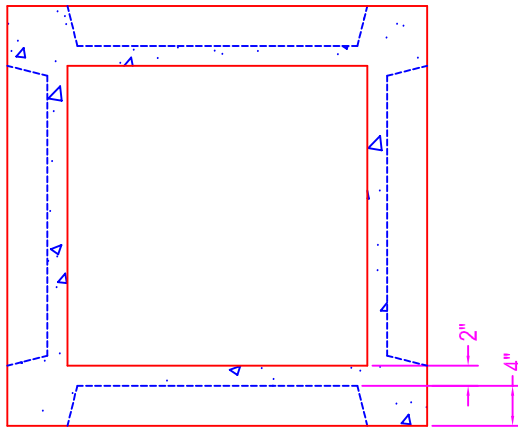
CONCRETE: 5000 psi @ 28 days

REF.: #3 rebar @ 6" o.c. each way

w/ 4 x 4 12.5 ga. mesh

OPENINGS: knockout areas on 4 sides

LOAD RATING: HS-20



	750 Howard Street Elmira, NY 14904 Fax: (607) 737-0291 Phone: (607) 733-0568 1-800-472-4335	Title: 30" x 30" CATCH BASIN	Drawn By: JPS
		Scale: Not To Scale	Drawing No.: 1055
			Date: 1-5-00