

# SIPHON TANK

## 170-180 Gallon Discharge

3-INLETS  
1-OUTLET

NOTES:

CONCRETE: 5000 psi @ 28 days

POLYPROPYLENE FIBERS

REF.: #3 rebar

PIPE CONNECTS: polylok @ inlets

4" sch 40 PVC @ outlet

SIPHON MANUF: Fluid Dynamics Model 310.5 TO

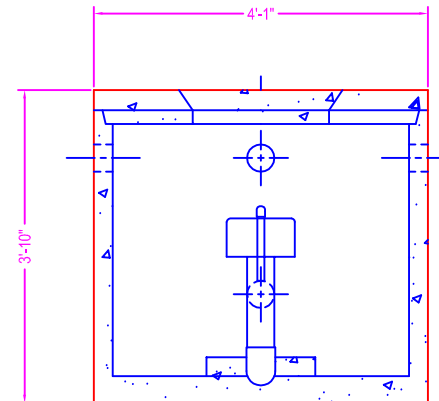
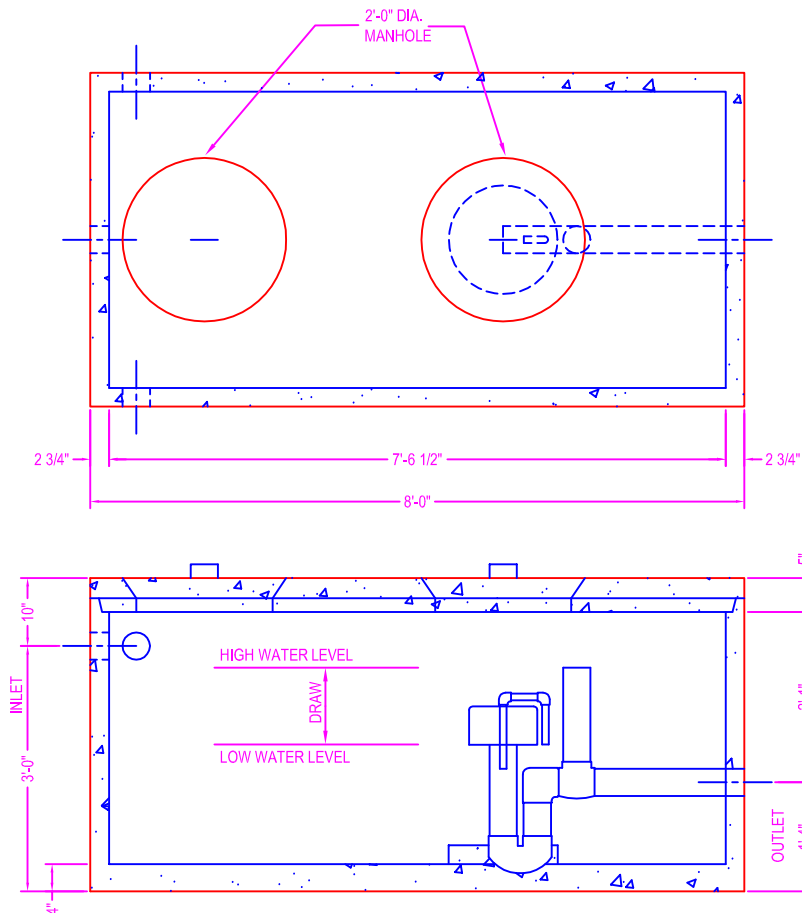
SIPHON SIZE: 3" Dia.


DRAW: 10" - 10 1/4"

GALLON/DISCHARGE: 170 - 180

FLOW RATE: approx. 82.13 gal/min

Note: Contractor has the option to reduce outlet pipe to 3" Sch 40 on the outside of the tank.



 <p>Zeiser Wilbert VAULT, INC. CONCRETE PRODUCTS</p>	<p>750 Howard Street Elmira, NY 14904 Fax: (607) 737-0291 Phone: (607) 733-0568 1-800-472-4335</p>	<p>Title: Siphon Tank</p>	<p>Drawn By: JPS</p>
	<p>Scale: Not To Scale</p>	<p>Drawing No.: 09220602</p>	
	<p>Date: 9-22-06</p>		